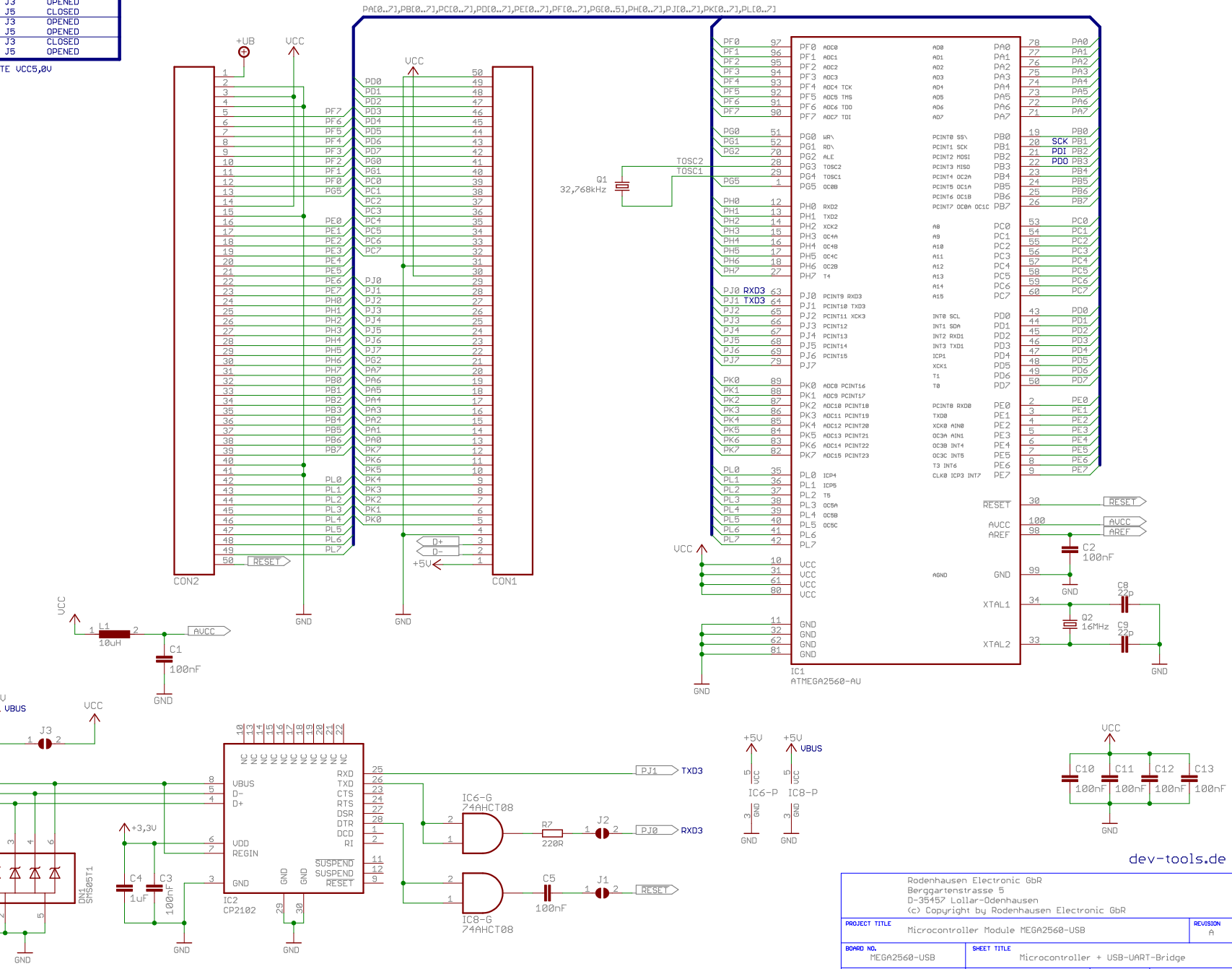
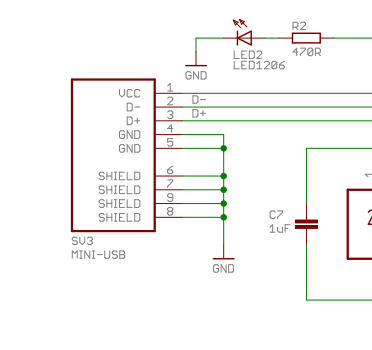
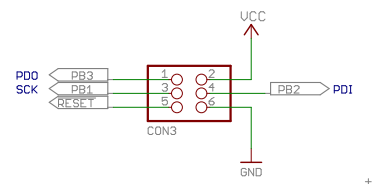
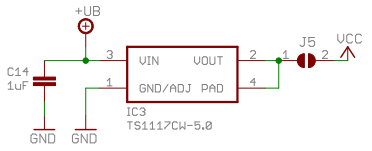
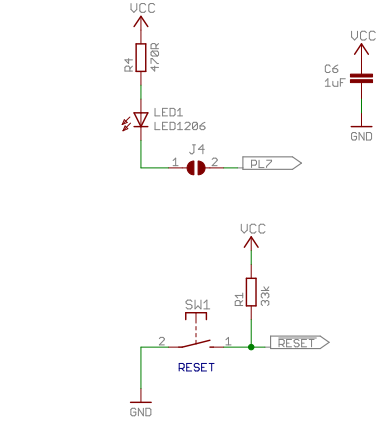


POWER SUPPLY CONFIGURATION	JUMPER	JUMPER STATUS
EXTERNAL SUPPLY VOLTAGE APPLIED TO +UB PIN (1)	J3	OPENED
	J5	CLOSED
EXTERNAL SUPPLY VOLTAGE APPLIED TO ANY VCC PIN (2)	J3	OPENED
	J5	OPENED
USB VBUS POWERED (1)	J5	OPENED

(1) ON BOARD LDO LINEAR REGULATOR IS USED TO REGULATE UCC5,0V
 (2) UCC = 4,5V TO 5,5V
 FURTHER INFORMATION CAN BE FOUND IN THE DATASHEET



dev-tools.de

Rodenhausen Electronic GbR Berggartenstrasse 5 D-35457 Lollar-Odenhausen (c) Copyright by Rodenhausen Electronic GbR	
PROJECT TITLE	Microcontroller Module MEGA2560-USB
REVISION	A
BOARD NO.	MEGA2560-USB
SHEET TITLE	Microcontroller + USB-UART-Bridge
DR/AN	DR
DATE	14.02.2011
CHECKED	HR
DATE	17.02.2011
RELEASE DATE	17.02.2011
SHEET	1/1